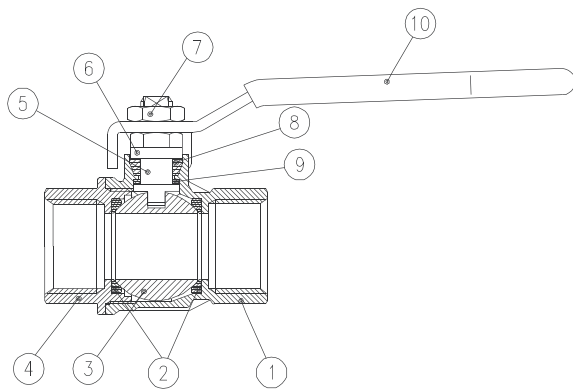


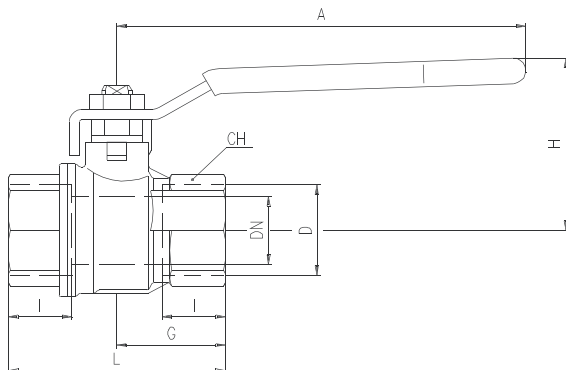
# Brass Ball Valve (General Specification)

## 1/4 to 2 1/2 " BSP with Metal Lever Handle

<b>Features:</b>
Working Pressure 30 bar cold
Temperature -20 + 160C
Handle Lever or Tee Available
Female / Female or Male / Female

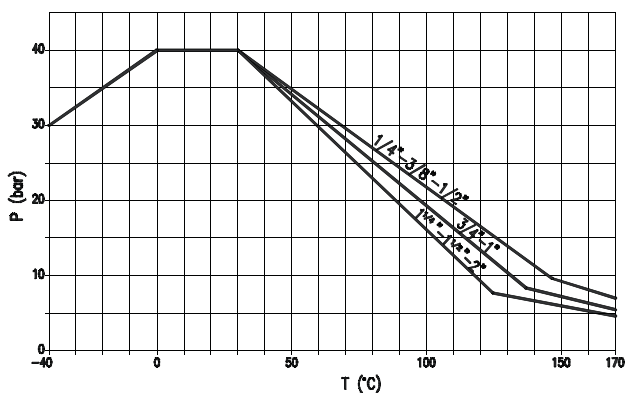


PART DESCRIPTION	Q.ty	Material
1 Nickel plated body	1	CW617N
2 Seat	2	Ptfe
3 Chrome plated ball	1	CW617N
4 Nickel plated end cap	1	CW617N
5 Nickel plated stem packing gland design	1	CW617N
6 Nickel plated gland nut	1	CW617N
7 Geomet® nut	1	CB4FF
8 Packing gland seal	1	Ptfe
9 Washer	1	Ptfe
10 Black Geomet® steel handle	1	DD11



D (inch)	1/4	3/8	1/2	3/4	1	1 1/4	1 1/2	2
DN(mm)	8	10	15	20	25	32	40	50
L (mm)	12	12	15.5	17	21	23	23	26.5
L (mm)	45	45	59	64	81	93	102	121
G (mm)	22.5	22.5	29.5	32	40.5	46.5	51	60.5
A (mm)	82	82	100	120	120	158	158	158
H (mm)	39.5	39.5	43	50.5	54.5	76	82	89
CH(mm)	20	20	25	31	40	49	54	68.5

Pressure -Temperature chart



Pressure drop chart

