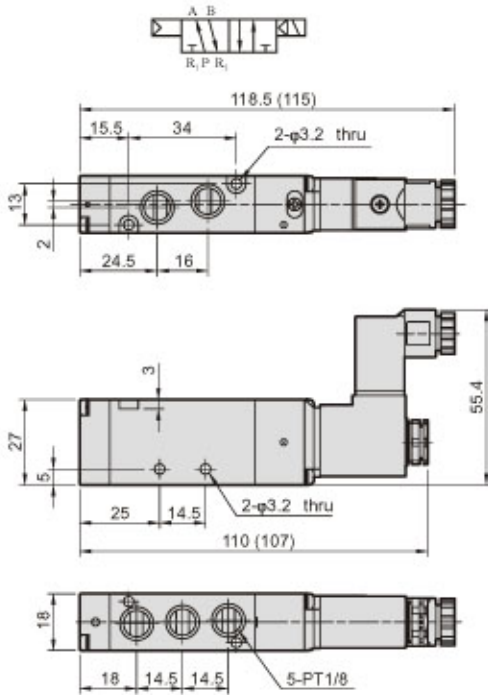


MVSC-180 Series 3/2 5/2 5/3 1/8 BSP

SOLENOID VALVE

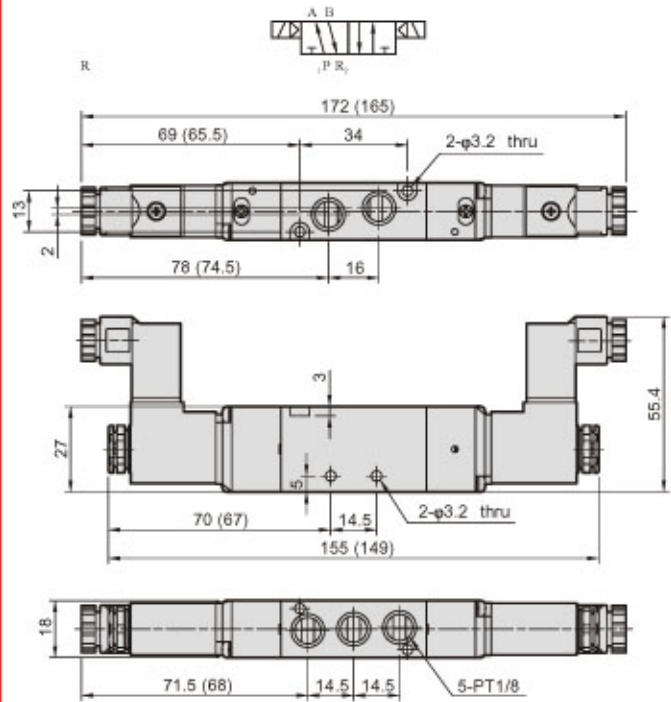
5/2 Sol/ Air Spring Return

MVSC/D-180-4E1



5/2 Sol/ Sol

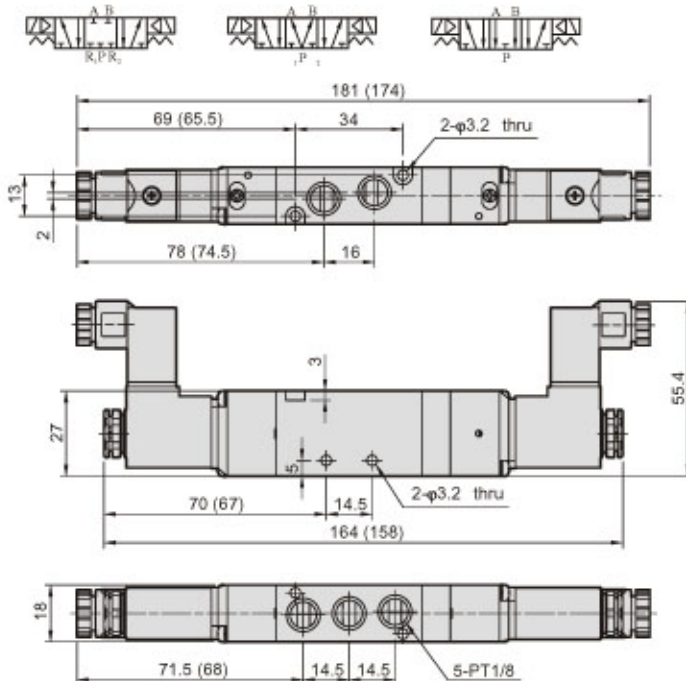
MVSC/D-180-4E2



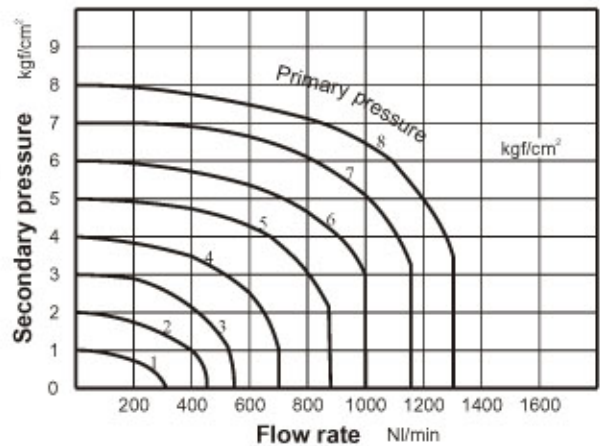
5/3 Sol/ Sol

MVSC/D-180-4E2C.PR

MVSC/D-180-4E2C MVSC/D-180-4E2P MVSC/D-180-4E2R



Flow features:



() : Dimension for MVSD



MVSC-180 Series 3/2 5/2 5/3 1/8 BSP

SOLENOID VALVE

SOLENOID & AIR PILOT VALVES

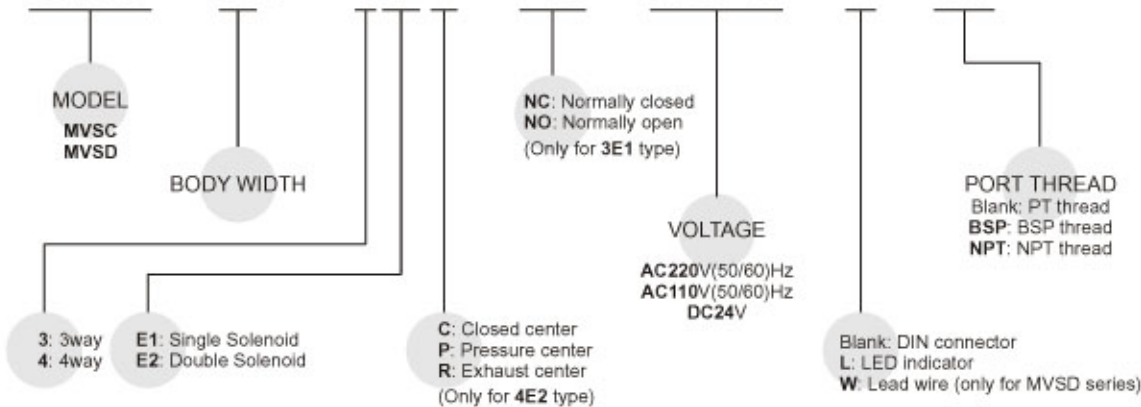


Specification:

Model	MVSC/D-180 -3E1,E2	MVSC/D-180 -4E1,E2	MVSC/D-180 -4E2C.P.R	
Bore No.	6A			
Port size	PT 1/8			
No. of port	3	5		
No. of position	2	2	3	
Medium	Air			
Operating pressure range	1.5~8 kgf/cm ²		2~7 kgf/cm ²	
Proof pressure	10 kgf/cm ²			
Effective orifice	12 mm ²	12 mm ²	9 mm ²	
Response time	30 ms			
Ambient temperature	□5~□50□ (No freezing)			
Voltage	AC110V, 220V (50/60)Hz, DC24V			
Power consumption	AC=3.7/ 3.1VA, DC=2.9W			
Available voltage range	±10%			
Insulation class	F class			
Weight	120 g	172 g	124 g	176 g
			190 g	

Order example of valve:

MVSC - 180 - 4E2C - NC - AC110 - L - BSP



Order example of manifold:

3 way **MVSC - 180 - 3B3 - BSP** **4 way** **MVSA - 180 - 5B3 - BSP** □Use the same manifold with MVSA.

